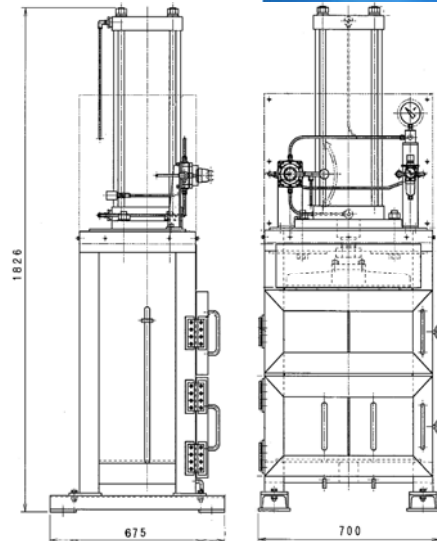


# MOL Techno-Trade,Ltd

## AIR GARBAGE COMPACTOR

MOL Techno-Trade,Ltd.  
 1-1,Kyobashi 1-Chome,Chuo-ku,Tokyo  
 TEL: +81-3-6367-5381 FAX:+81-3-6367-5517  
 E-MAIL: ship-mach@motech.co.jp

- Actuated by Compression air on board
- Compactor is able to press various waste materials such as plastic film and cans
- Simple design with easy Operation
- Effective for organizing waste materials & Reduction of disposal cost



SPECIFICATION	AGC- II
SIZE (W × D × H) mm	700 × 675 × 1826
WEIGHT(kg)	338
ACTUATION AIR PRESSURE	7.0kg/cm <sup>2</sup> (COMPRESSION AIR ON BOARD)
COMPRESSIVE PRESSURE (TON)	3.6
PRESSURE STROKE(mm)	600
INTENDED ITEM	PLASTIC BOTTLE&FILMS, PAPER
	CARDBOARD, RECTANGULAR CAN ROUND CAN